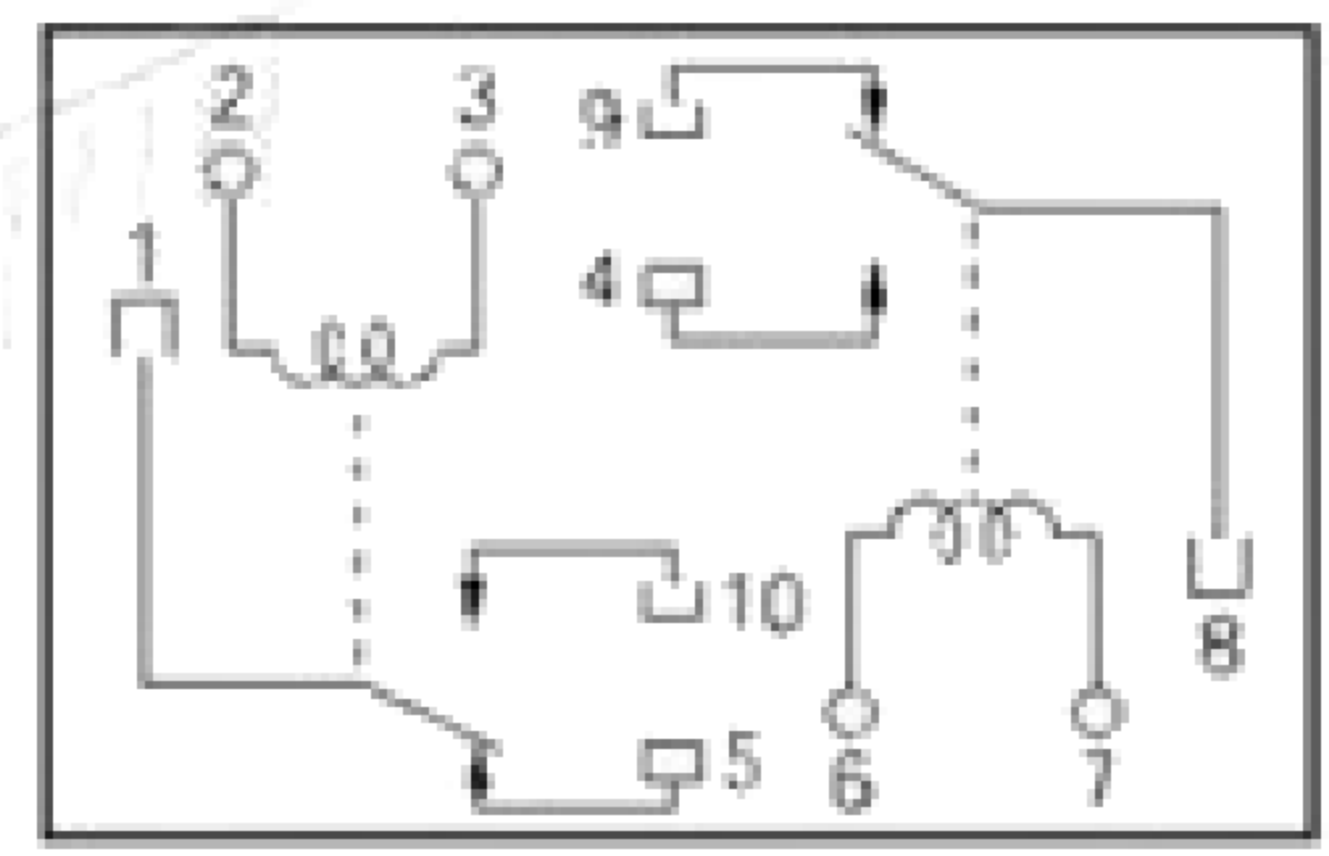
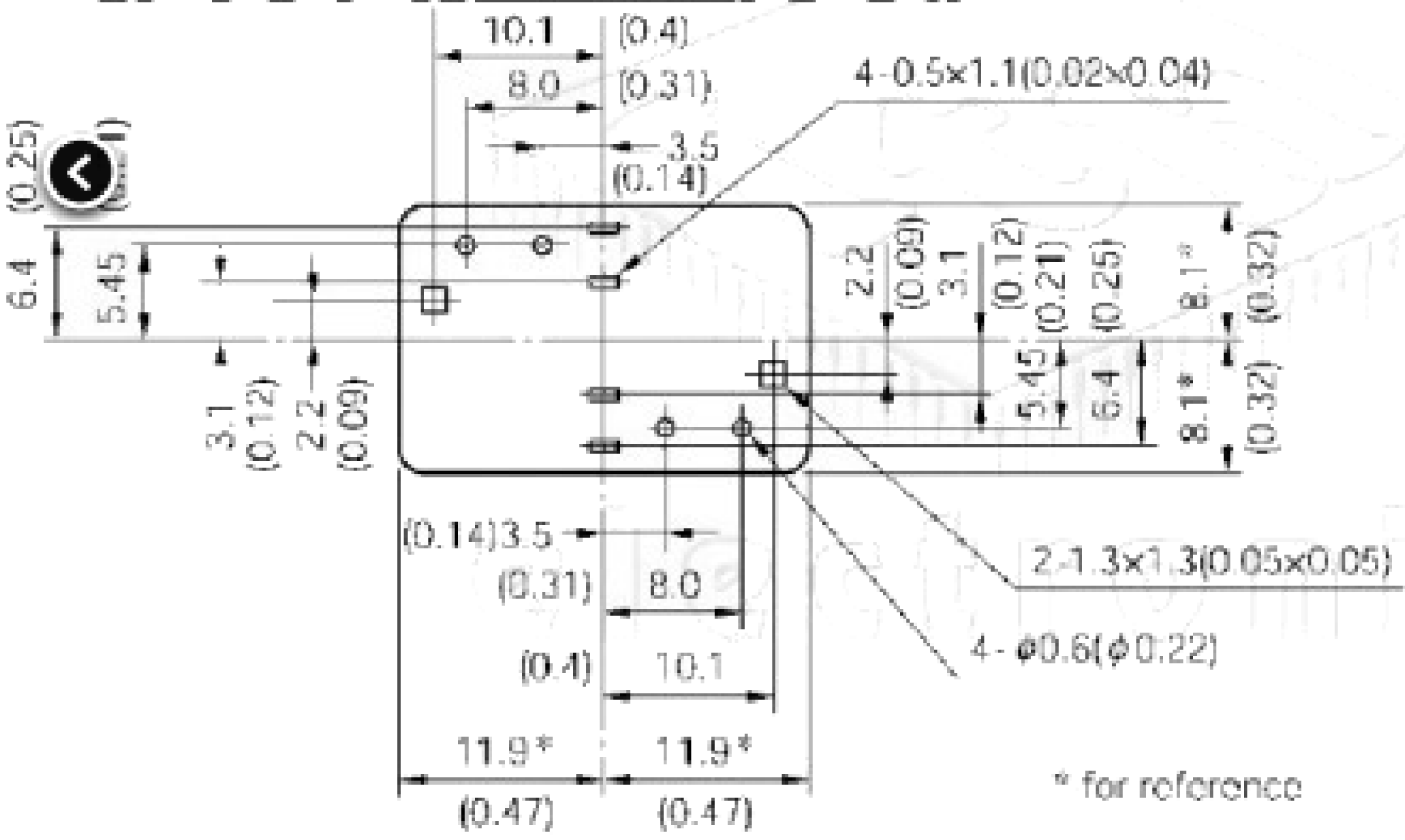
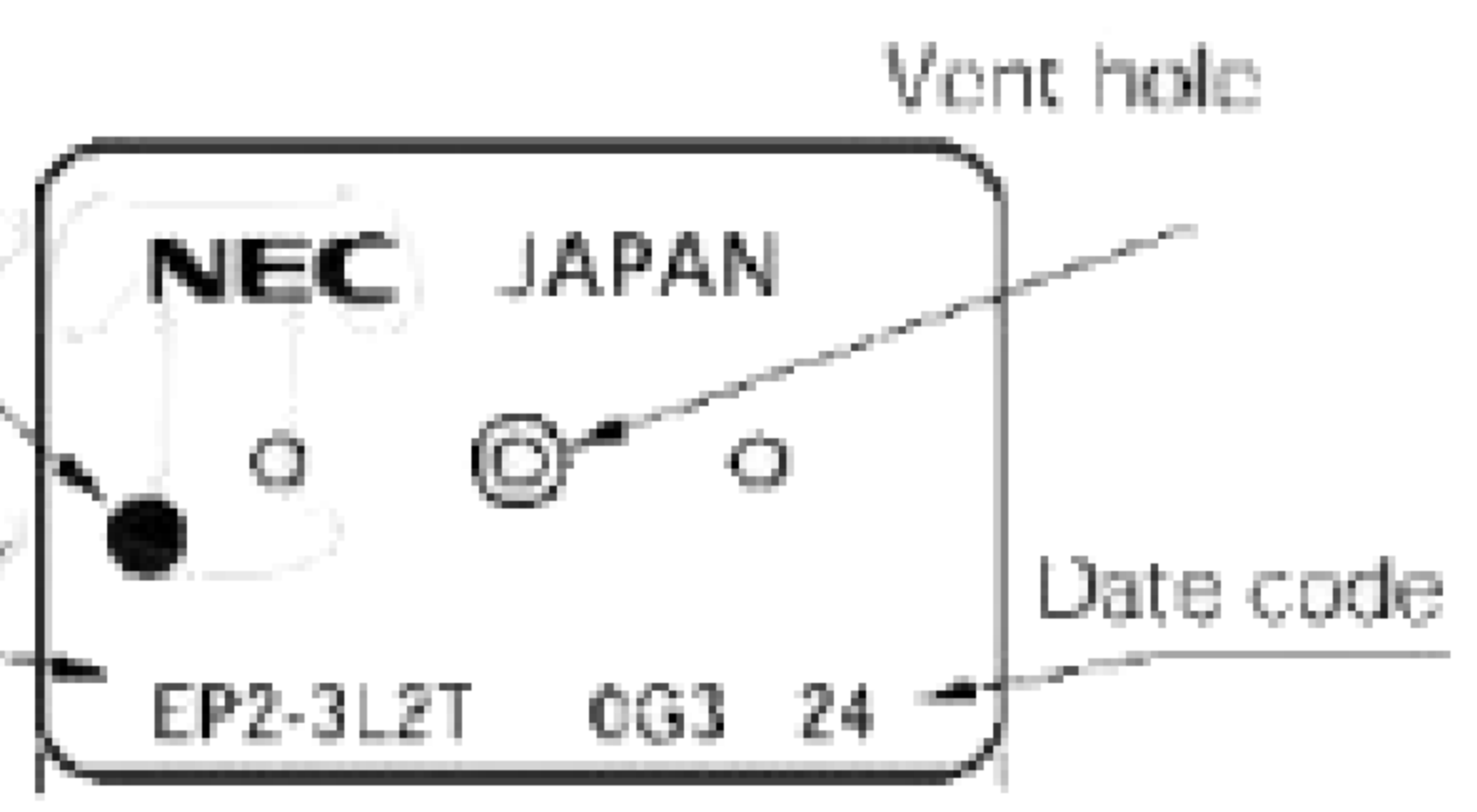


Separate type
discrimination mark
φ 2(0.079)
Part number



* for reference